

# RO-M FUSION



END-OF-LINE [PACKAGING]

PERFORMANCE





---

□□□□

---

□□ 3 □□□□□□

---

□□□□□□□□□□□□□□□□

---

□□□□□□□□

---

□□□□□□□□□□

---

□□□□□□□□□□□□□□□□

---

□□□□□□□□□□

---

□□□□□□□□□□

---

□□□□□

---

□□□□

---

□□□□

---

□□□□□□□□□□□□

---

4 □□□□□□ 2 □□□□

---

□□□□□□600 □□□□□ 700 □□□ 800 □□

---

CE □□□□□□□□

---

□□

---

□□□□□

□□□□□□□□□□□□□□□□□□□□

□□□□□□□□□□ 3 □□□□□□□□□□□□

□□□□□□□□□□□□□□□□

□□□□

□□  
□□□□□□ 600 x 500 □□□□□□□□□□□□ 55 □/□□

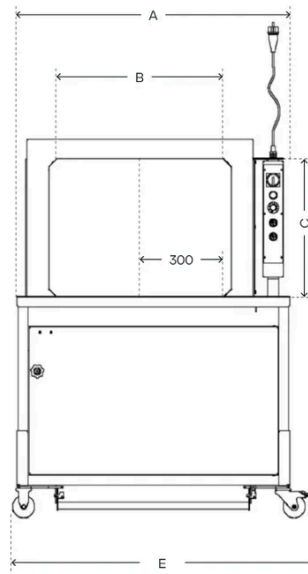
□□□□  
□ 800 □□□ 905 □□

□□□  
PP□ □□□5 □□ - 12 □□  
□□□0.47 □□ - 0.55 □□

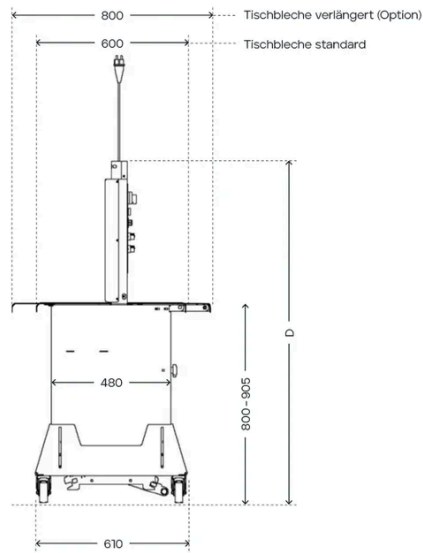
□□□□□□  
□□□□□□ 200 □□  
□□□□□□ 190 □□

□□  
□□□□□□ 100 - 240 V□50/60 Hz□1L+N+PE□□  
□□□□□□□□□□□□□□  
□□□□ 0.2 kW

□□  
□ 180 □□□ 240 □□□□□□□□



	A	B	C	D	E
600x500	990	600	500	1.370-1.475	1.090
800x600	1.190	800	600	1.470-1.575	1.290
1250x600	1.640	1.250	600	1.470-1.575	1.740



	A	B	C	D	E
600x500	990	600	500	1.370-1.475	1.090
800x600	1.190	800	600	1.470-1.575	1.290
1250x600	1.640	1.250	600	1.470-1.575	1.740