

MOSCA®

EXCELLENCE IN STRAPPING SOLUTIONS



WAH 4

Fully automatic stretch wrapping machine
with rotating arm

50
MOSCA
1966-2016

WAH 4

STANDARD FEATURES

- Controllable arm speed via frequency inverter
- Automatic film clamping and cutting system
- 15 wrapping programs
- Siemens System SPS S7 with TP 7"
- Bongfiglioli Standard Motors
- Min. stretch wrapping height above conveyor height = 95 mm
- Pre-stretch ratio = 150% / 185% / 214%

OPTIONS

- Support frame CH+Pal. >2650 = 2800mm
- Special film clamp double movement
- SEW motors for top film coating
- Support frame CH+Pal. > 2800mm
- Sealing device – electrically heated
- SEW motors for wrapper
- Pneumatic hold-down device 1000 mm stroke
- Pneumatic hold-down device, type Pantograph
- Film coil mandrel 750 mm
- Film clamping and cutting system at the hold-down device
- Horizontally/vertically moveable Genesis clamp (Tricor clamp)
- Top film coating – integrated for stretch wrapper
- Top film coating – pre-positioned for stretch wrapper
- Special accessories

TECHNICAL DATA

- Min. conveying height: 300 mm
- Rotational speed:
with Top-Inside 32 rpm
30 rpm
- Max. output capacity:
with Top-Inside 52 pallets/h
41 pallets/h

ELECTRICITY:

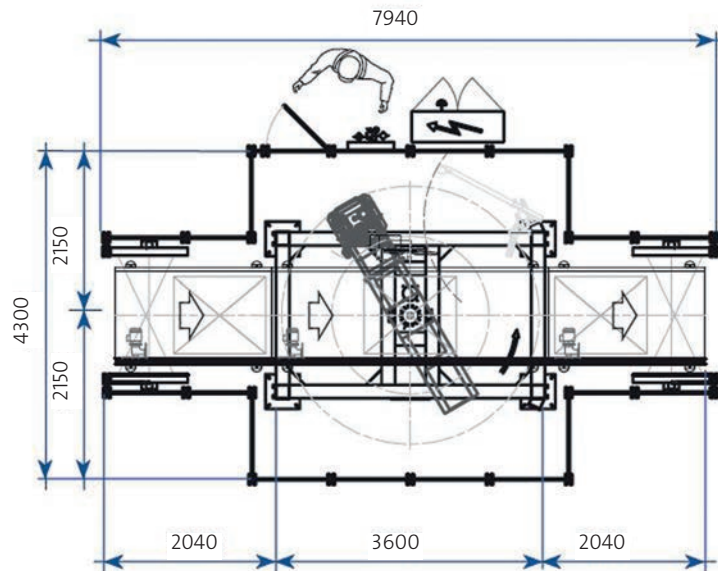
- Power supply voltage: 3 / N / PE / 400 V
- Supply frequency: 50 Hz
- Installed total capacity:
with Top-Inside 6.5 KW
7 KW
- Protection electr. equipment: IP 54

PNEUMATICS:

- Air pressure : 6±1 bar
- Air consumption:
with Top-Inside 250 NI/min
350 NI/min

PRODUCT DIMENSIONS:

- Min. pallet size WxL: 600 x 800 mm
- Max. pallet size WxL: 1200 x 1200 mm
- Min. product height incl. pallet:
with Top-Inside 500 mm
1000 mm
- Max. product height incl. pallet: 2000 mm
- Other dimensions on request



01 / 16 Subject to Alterations



MOSCA[®]
EXCELLENCE IN STRAPPING SOLUTIONS

MOSCA GMBH

Gerd-Mosca-Straße 1
D-69429 Waldbrunn/Germany
Tel.: +49 6274/932-0
Fax: +49 6274/932-400 118
Tel. Tech. Service: +49 6274 / 9 32-146
E-Mail: info@mosca.com
Internet: www.mosca.com