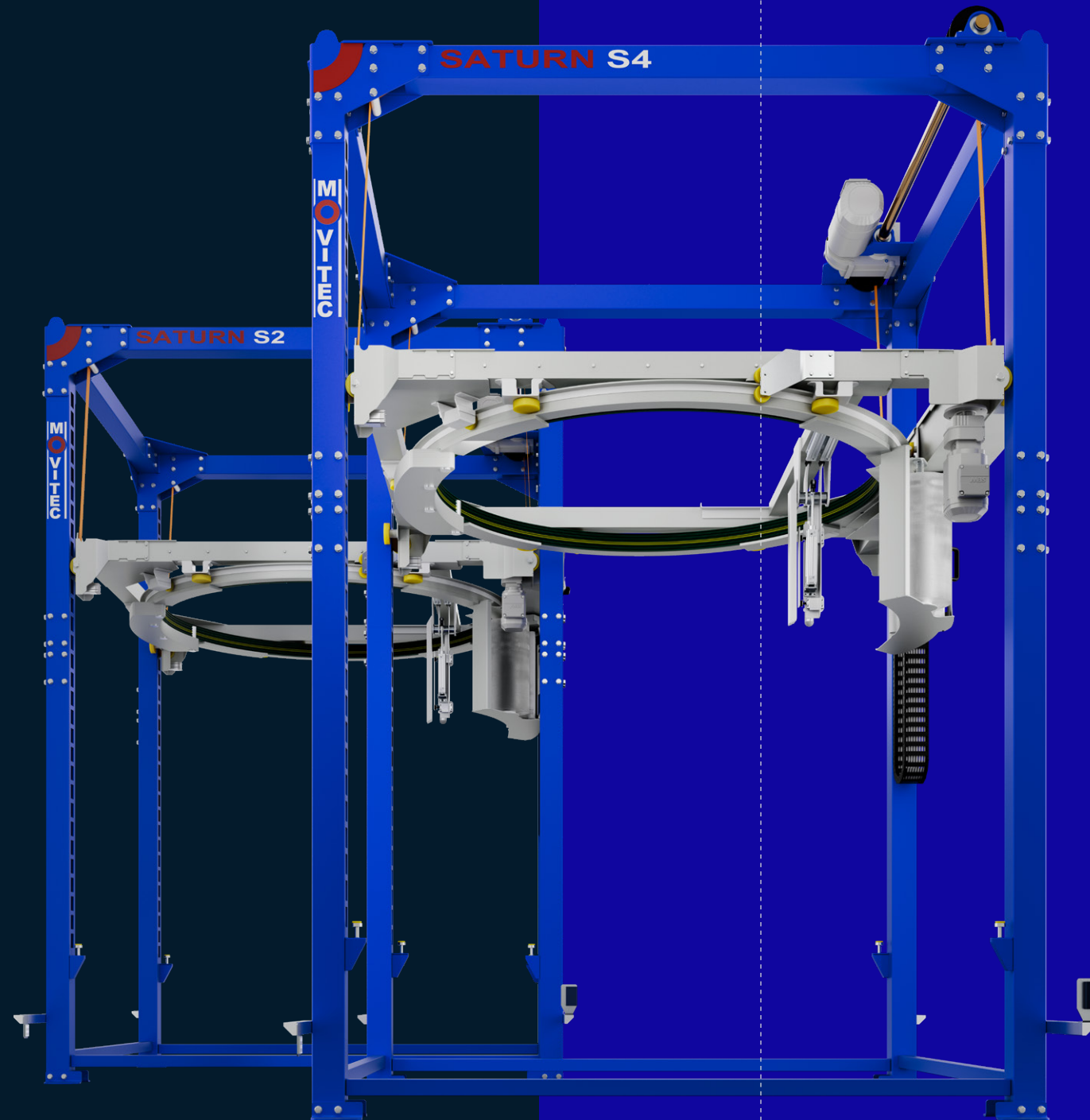


Saturn S2/S4

REVOLUTIONIZE YOUR
END-OF-LINE [PACKAGING]
PERFORMANCE

MOSCA

EN



NONSTOP RESPONSIBLE
NONSTOP RELIABLE
NONSTOP INTELLIGENT
NONSTOP PROGRESSIVE

Automatic Rotary Ring Stretch
Wrapping Machine



Entry-level performance:
Up to 45 pallets per hour (S2)



Medium performance:
Up to 70 pallets per hour (S4)



Counter plate seaming



Ring lift up / down movement
by lifting belts



NONSTOP PERFORMANCE

Saturn S2 / S4

AUTOMATIC ROTARY RING STRETCH WRAPPING MACHINE

The space-saving models Saturn S2 and Saturn S4 are stretch wrapping machines featuring a rotary ring design where the load remains static while the film reels rotate around the load.

Our entry-level model Saturn S2, achieves an output of up to 45 pallets per hour and the best alternative to a turntable wrapping machine. The Saturn S4 with a productive capacity of up to 70 pallets per hour is a medium performance stretch wrapper and is the best alternative to a rotating arm wrapping machine. Both the Saturn S2 and S4 offer increased balance, reduced mechanical wear, and low maintenance with minimum downtime.

Thanks to the uniform unwinding heads, both machines achieve optimal welding and highly efficient utilization of the wrapping film, granting sustainable product protection and optimal load securing.

TECHNICAL DATA

Performance:
D17*: Up to 45 pallets / h (S2)
D20*: Up to 38 pallets / h (S2)
D17*: Up to 70 pallets / h (S4)
D20*: Up to 66 pallets / h (S4)
* Pallet diagonal D: 1,750 mm | 2,050 mm

Stretch wrapping film:
Max. width: 500 mm
Max. diameter: 250 mm
Core diameter: 76 mm
Film thickness: 10–30 μ
Top film thickness: 30–90 μ

Load dimensions: (in mm)

	D17	D20
Max. width	1,100	1,300
Max. diagonal	1,750	2,050
Max. height	2,100 (conveyors height 500mm)*	

* Possibility to adapt the frame of the machine for loads higher than 2,100 mm

Electricity:
Voltage: 400 V, 50 Hz, 3P+N+PE
(others on request)
Power consumption: Depending on model / options

Air connection:
Compressed air: 6 bar
Air consumption: 34 NI / cycle
Air consumption with top sheet film: 42 NI / cycle

Conveyor technology and height:
Rollers, chains, belts or without conveyor technology,
80 mm to 1,000 mm high

Weight: (without options)
approx. 2,000 kg

STANDARD FEATURES

Guaranteed savings of stretch film:
300 % film pre-stretching; 1m of film becomes 4 m

Finishes without tails of film due to our efficient cut and welding device

Electronic and self-adjusting tension control depending on the profile of the load

Capable of applying bands (strips) at any height of the load

Possibility of wrapping at ground level

Possibility of applying efficient dustproof and rainproof wrappings

OPTIONS

Top sheet dispenser for dustproof and rainproof wrappings

Motorized hold down plate

Roping device

Edge protection applicator

EPS - Electronically variable, 2-motor film pre-stretching system up to 400 % (optional only Saturn S4)

CONTACT US FOR A PERFORMANCE CONSULTATION!

mosca.com

Mosca GmbH
Gerd-Mosca-Straße 1 · 69429 Waldbrunn

info@mosca.com · +49 6274 / 932-0

DIMENSIONS / WORKING WIDTH MACHINE (in mm; Picture includes options)

