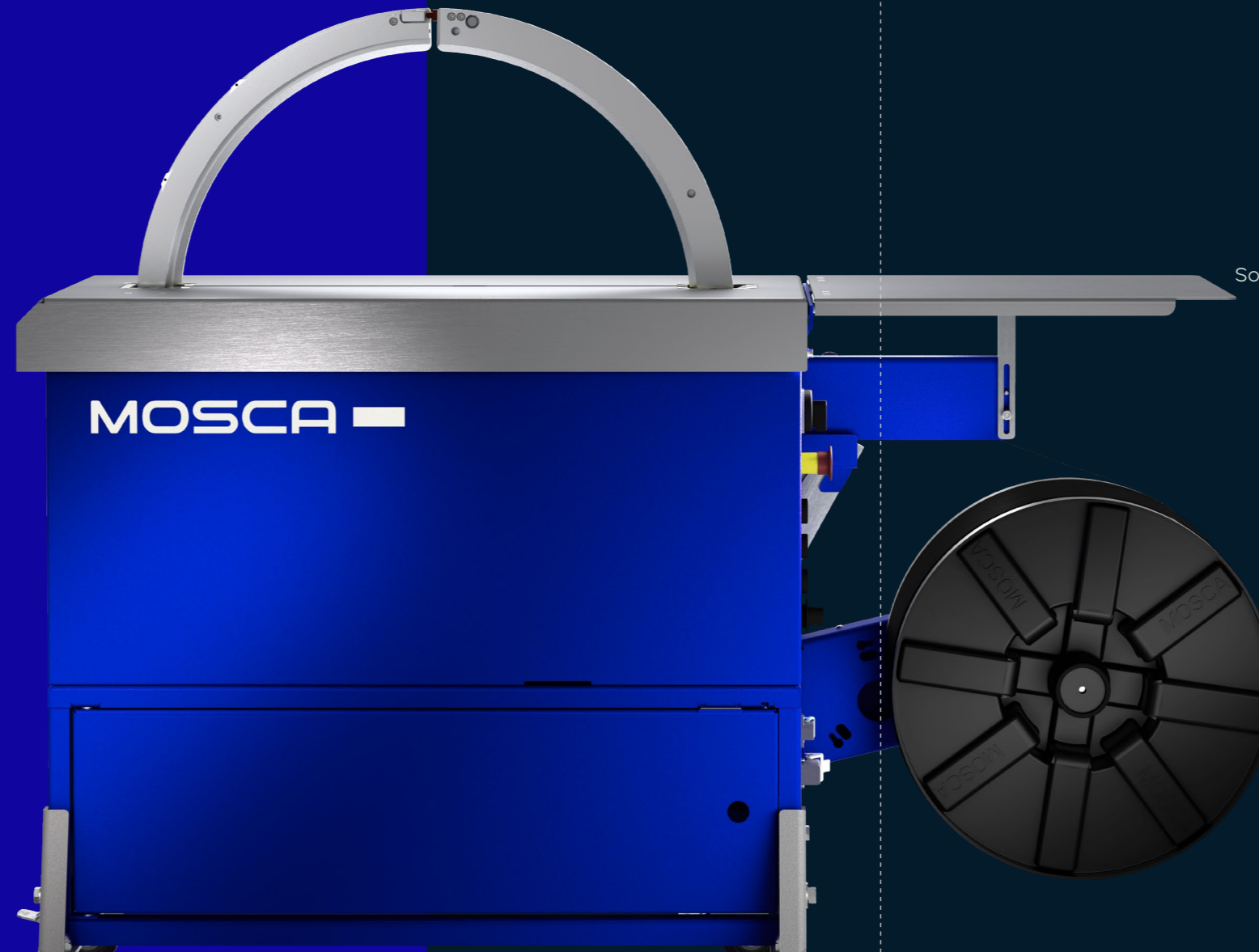


SoniXs M-RI

REVOLUTIONIZE YOUR
END-OF-LINE [PACKAGING]
PERFORMANCE


MOSCA


EN




NONSTOP RESPONSIBLE
NONSTOP RELIABLE
NONSTOP INTELLIGENT
NONSTOP PROGRESSIVE


Automatic Strapping Machine 

Building Materials 

SoniXs Narrow Sealing Unit | Standard-7 

Energy-efficient electrical drives 

For PP and PET straps 

Mosca Digital package 

NONSTOP PERFORMANCE

SoniXs M-RI

STRAPPING MACHINE WITH RING-SHAPED STRAP FRAME

The SoniXs M-RI with ring-shaped strap frame is ideal for processing roof battens and other long products. The SoniXs sealing unit uses ultrasonic technology to reduce energy consumption while minimising the risk of fire associated with the highly flammable goods in the building materials industry. The machine can be operated with PP or PET strapping on a 200 or 406 mm strap coil dispenser core.

The SoniXs M-RI features an integrated webHMI enabling users to view all performance-related data including availability, output, and machine settings. The optional Mosca Digital package also allows monitoring of the SoniXs M-RI independent of time and location.

TECHNICAL DATA

Performance:
Up to 18 cycles / minute

Conveying Height:
845 - 925 mm

Straps:
PP straps: 12 x 0.63 mm
12 x 0.55 mm
12 x 0.45 mm
9 x 0.55 mm
8 x 0.45 mm
PET straps: 12 x 0.54 mm
11 x 0.4 mm
9.5 x 0.54 mm
9 x 0.4 mm

Strap Coil Dispenser:
Core diameter: 200 mm or 406 mm

Electricity:
Voltage: 100 - 240 V, 50 / 60 Hz, 1L+N+PE
(others on request)
Power Consumption: approx. 0.5 kW

Weight: (without options)
210 kg

OPTIONS

Dispenser cover

Signal exchange via 24-pin plug to integrate into fully automatic production lines

Manual strapping release via flexible foot pedal

Interface OPC UA

STANDARD FEATURES

SoniXs Ultrasonic narrow sealing unit in standard-7 version

B&R PLC control

Easy strap coil change and threading system

Strap end detection with ejection of remaining strap

Energy-saving drives

Adjustable strap tension via webHMI

Low-wear, controlled strap path system

4 castors, 2 of them are lockable

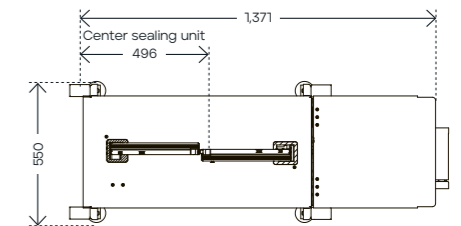
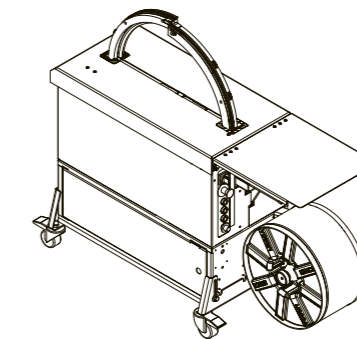
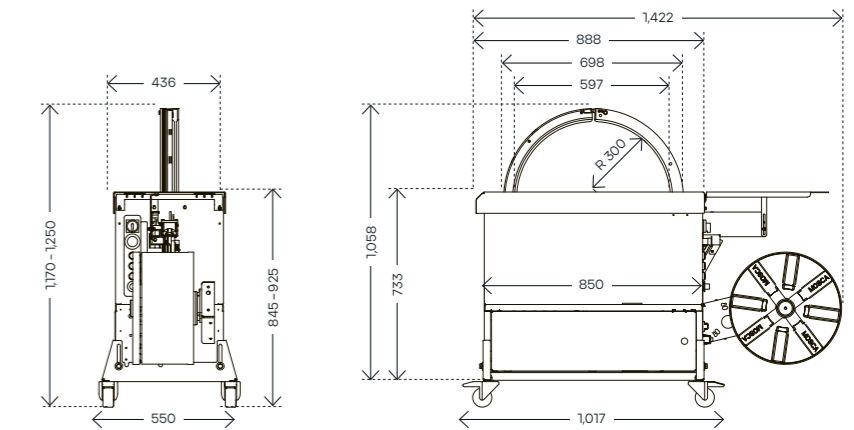
Quick strap coil change

3 definable recipes for quick adjustment of parameters during product change

CE marking inclusive conformity declaration

Flexible dispenser alignment

DIMENSIONS / WORKING WIDTH MACHINE (in mm)



HOLISTIC SUPPORT WITH THE MOSCA SYSTEM

Suitable consumables available directly from Mosca. Can be combined with Mosca maintenance contracts - all from one source.

CONTACT US FOR A PERFORMANCE CONSULTATION!

mosca.com

Mosca GmbH
Gerd-Mosca-Straße 1 · 69429 Waldbrunn

info@mosca.com · +49 6274 / 932-0