

KZV- 311

REVOLUTIONIZE YOUR
END-OF-LINE [PACKAGING]
PERFORMANCE

MOSCA



NONSTOP RESPONSIBLE
NONSTOP RELIABLE
NONSTOP INTELLIGENT
NONSTOP PROGRESSIVE

Automatic
Pallet Strapping Machine



Mail Order & Logistics, Food & Beverage,
Corrugated Cardboard & Paper, Construction &
Container, Newspapers & Graphics



SoniXs Sealing Unit | Lateral mounted



Energy-efficient electrical drives



For PP and PET straps



NONSTOP PERFORMANCE

KZV-311

FULLY AUTOMATIC PALLET STRAPPING MACHINE TO SECURE GOODS FOR TRANSPORT

The fully automatic, vertical strapping systems KZV-311 and the KOV-311 version, are designed to secure heavy goods, stacked pallet loads or products with rigid packaging material such as building materials flexibly and reliably for internal transport, storage or shipping. While the KZV-311 with a movable strap lance is suitable for strapping palletised goods, the KOV-311 with its lower strap track is the right machine for non-palletised products.

Both machine versions are equipped with the proven SoniXs ultrasonic sealing unit reaching a strap tension of up to 2,500 Newton. For a higher strap tension, the machine includes the option to use the high-performance HL sealing unit, which allows the strap tension to be infinitely adjusted up to 5,000 Newton.

The side-mounted sealing unit can move towards the package to meet the side of the load, assuring stable strappings, even if load position varies or the pallet is not optimally aligned with the unit. For sensitive products, an optional floating head helps to equalize strap tension around the load, providing a tight pack with minimal product stress.

TECHNICAL DATA

Performance:
Up to 30 pallets / h*
*with 4 vertical strappings (depending on size)

Passage Widths:
1,600 - 2,000 mm

Straps:
Standard machine grade PP or PET straps*
PP straps: Width: 12 mm
 Thickness: 0.8 mm
PET straps: Width: 9.5 - 12.5 mm
 Thickness: 0.54 - 0.66 mm

*Deviations possible with KSR-2 and HL sealing unit

Strap Tension:
200 - 2,500 N infinitely adjustable
*Deviations possible with KSR-2 and HL sealing unit

Strap Coil Dispenser:
Core diameter: 406 mm

Electricity:
Voltage: 400 V, 50 Hz, 3L+N+PE
(others on request)
Power consumption: approx. 2 kW, depending on equipment

Weight: (without options)
approx. 850 kg

STANDARD FEATURES

SoniXs Ultrasonic sealing unit

Strap dispenser

Complete electric control for automatic and semiautomatic operation in the operator panel

Siemens PLC control with touch panel

Different Models:
[KZV-311]
• Lateral mounted sealing unit
• Sealing unit moveable towards the product
• Strap lance for strapping of palletised goods

[KOV-311]
Like basic model KZV-311, closed strap frame for boxes and cartons

OPTIONS

Three-part signal light including low strap detection

HL sealing unit with floating head
(up to 5,000 N strap tension)

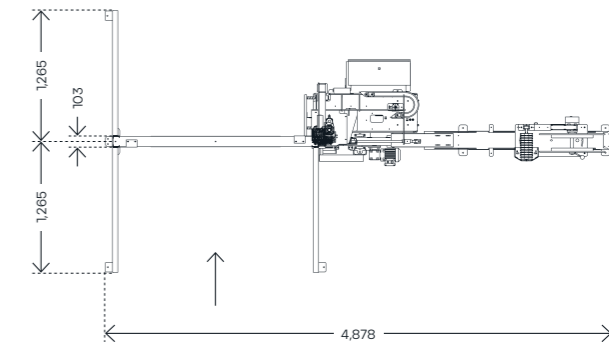
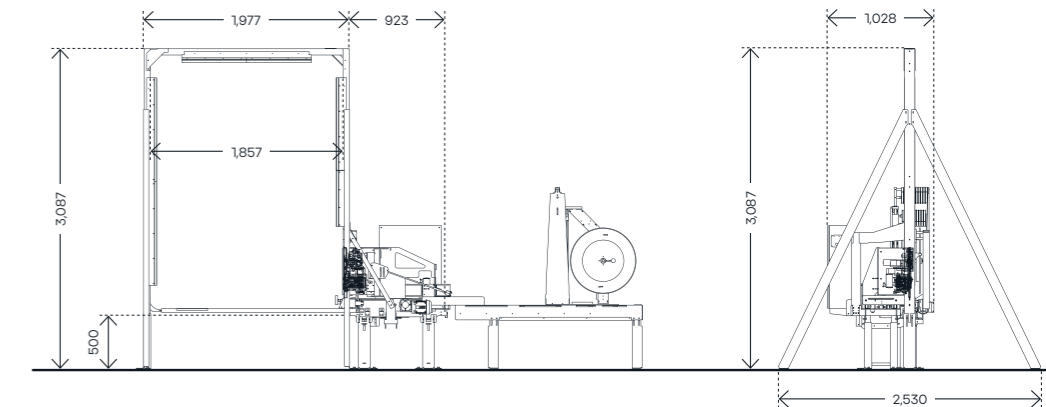
Floating head

Muting System

Safety guards

Stroke extension of sealing head to 600 mm

DIMENSIONS / WORKING WIDTH MACHINE (in mm; Picture includes options)



CONTACT US FOR A PERFORMANCE CONSULTATION!

mosca.com

Mosca GmbH
Gerd-Mosca-Straße 1 · 69429 Waldbrunn

info@mosca.com · +49 6274 / 932-0