

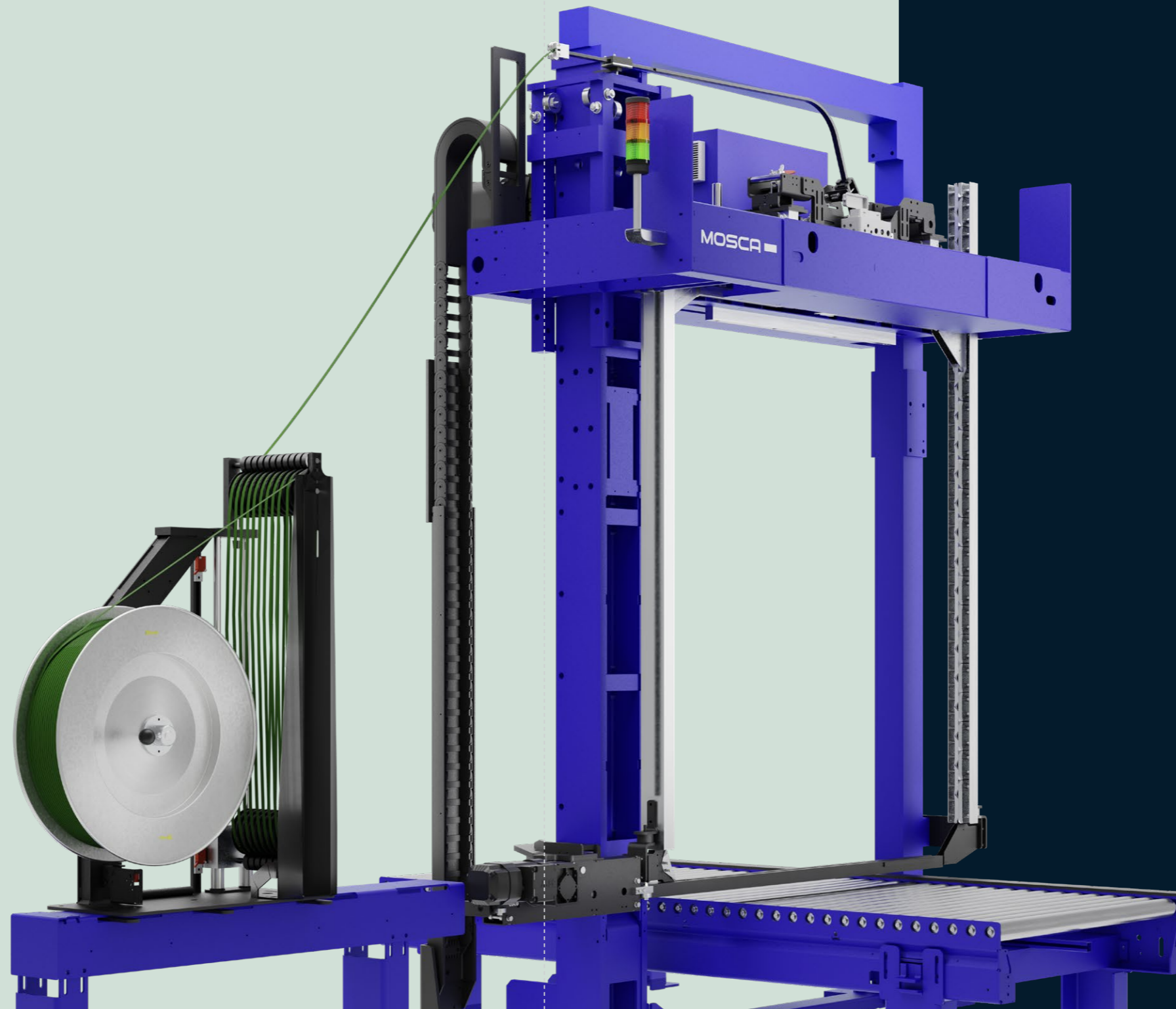
KZV-

TTT


REVOLUTIONIZE YOUR
END-OF-LINE [PACKAGING]
PERFORMANCE


MOSCA


EN



NONSTOP RESPONSIBLE
NONSTOP RELIABLE
NONSTOP INTELLIGENT
NONSTOP PROGRESSIVE


Automatic Pallet Strapping Machine 

Mail Order & Logistics, Food & Beverage, Corrugated
Cardboard & Paper, Building Materials & Containers 

SoniXs Sealing Unit | Top mounted 

Energy-efficient electrical drives 

For PP and PET straps 

Edge Protection (option) 

NONSTOP PERFORMANCE

KZV-111

AUTOMATIC PALLET STRAPPING MACHINE FOR SECURING TRANSPORT GOODS

The robust and durable strapping machine KZV-111 is suitable for palletised packages in all formats and shapes that do not need to be compressed. The top-mounted, weight-reduced SoniXs sealing unit (32 kg) is secured by quick-release fasteners and can be removed for maintenance without tools.

Optionally, the KZV-111 can be equipped with a BSG 4 strap sealing unit splicing the strap end to a new coil. This reduces downtimes when changing the strap coil and minimizes material waste. Fragile products can be secured with the optional edge protection system that quickly and precisely attaches cardboard edge protectors from above to keep the strap from cutting into the product.

TECHNICAL DATA

Performance:
approx. 12 seconds
(depending on passage height and width)

Passage widths:
1,200 – 3,200 mm (in 200 mm steps)

Conveying Height:
80 – 650 mm (others on request)

Straps:
Standard machine grade PP or PET straps*
PP straps: Width: 12 mm
Thickness: 0.8 mm
PET straps: Width: 9.5 – 12.5 mm
Thickness: 0.54 – 0.66 mm

*Deviations possible with HL sealing unit

Strap Tension:
250 – 2,500 N infinitely adjustable

Strap Coil Dispenser:
Core diameter: 406 mm

Electricity:
Voltage: 400 V, 50 Hz, 3L+N+PE
(others on request)
Power consumption: approx. 5.6 kVA

Weight: (without options)
1,200 kg

STANDARD FEATURES

SoniXs Ultrasonic sealing unit

Automatic height adjustment of pressure plate to bundle height

Easy accessibility

Electrically driven lift plate with geared brake motor

Strap dispenser

Siemens PLC control with touch panel

2-column design from 2,200 mm passage width

Different Models:

[KZV-111]

- Top-mounted sealing head
- One SoniXs- sealing head and one vertical strap guide
- Movable strap lance for strapping of palletized goods

[KOV-111]

Like basic model KZV-111, with additional underfeed channel for strapping of un palletized goods

[KVV-111]

Like basic model KZV-111, bottom arch with automatically controlled strap lance or underfeed channel. Particularly suitable for strapping of frequently changing package types with or without pallets

[KZV-121]

Like variants KZV-111, KOV-111 and KVV-111, but with two frame guides and two SoniXs sealing units. Increased strapping performance through simultaneous parallel strapping with two sealing units.

OPTIONS

Strap sealing unit BSG 4

Contact gib

Three-part signal light

Air conditioning equipment

High speed package

HL sealing unit with floating head
(up to 5,000 strap tension)

Automatic top edge protection

Floating head

Flap opener with load height scanning

Automatic balk feeder (only for KOV)

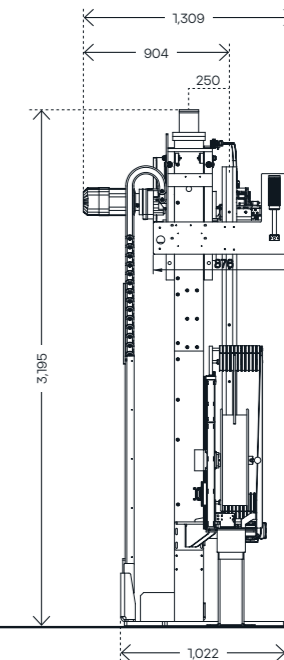
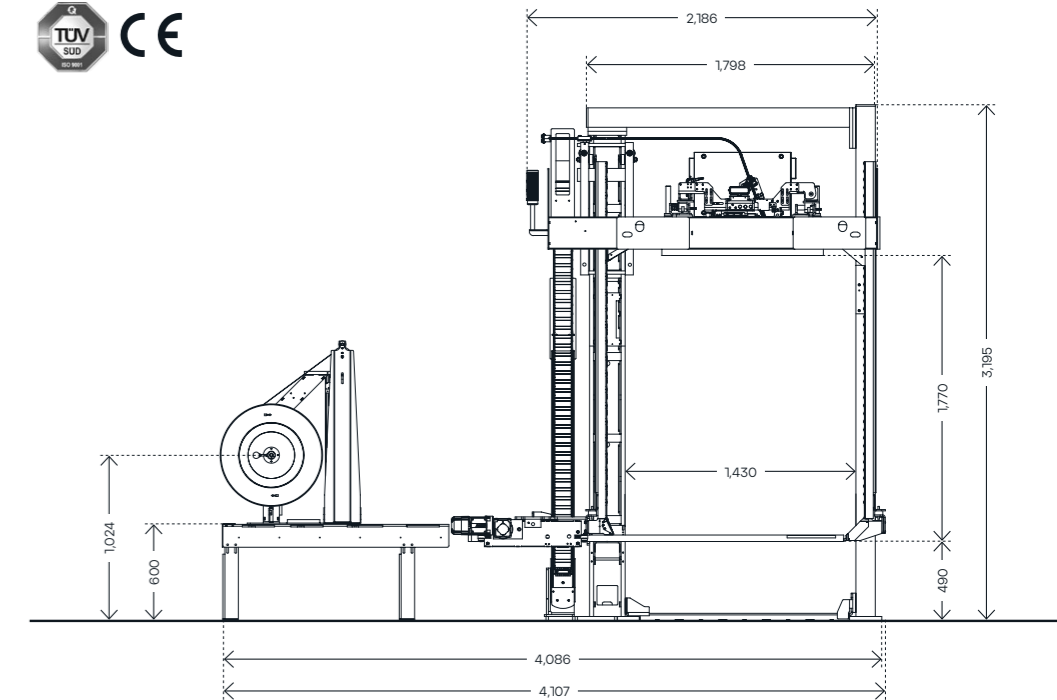
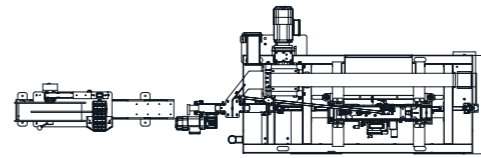
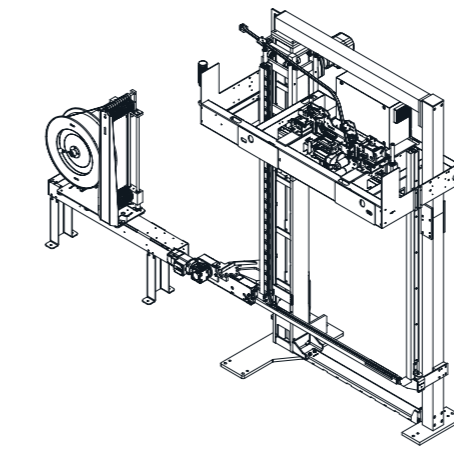
Service Locking Device

Permanent lubrication bearings/sprocket

HOLISTIC SUPPORT WITH THE MOSCA SYSTEM

Suitable consumables available directly from Mosca. Can be combined with Mosca maintenance contracts - all from one source.

DIMENSIONS / WORKING WIDTH MACHINE (in mm)



CONTACT US FOR A PERFORMANCE CONSULTATION!

mosca.com

Mosca GmbH
Gerd-Mosca-Straße 1 · 69429 Waldbrunn

info@mosca.com · +49 6274 / 932-0